

Terex® Cedarapids MVP™ Series | ElJay® Rollercone® Crushers

Standard Features

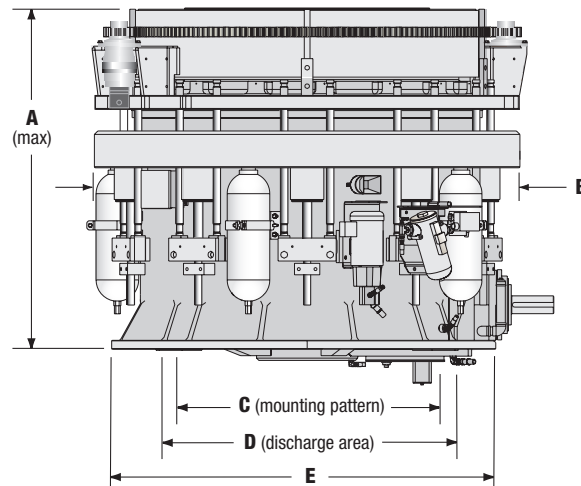
Manual Hydraulic Adjustment System (Man-in-the-loop) with control buttons on door, able to mount 15' (4.5m) from crusher
 Hydraulic powered threaded upper assembly for quick crusher setting adjustment under load
 Hydro-pneumatic tramp iron relief system instantly resets crusher setting after passing uncrushable material
 High efficiency ElJay® Rollercone® roller bearing construction
 Lubrication oil flow safety switch and warning horn
 Crusher mounted lubrication oil pump (460/3/60 or 380/3/50)
 Hydraulic skid with 10 hp (7.4 kW) provides hydraulic power for tramp and adjustment systems with 25' (7.6 m) hose for mounting near crusher (electric switchgear not included)
 Lubrication motor starter and hydraulic motor starter
 Oil heaters (115 volt) in sump and hydraulic skid

External lube oil heat exchanger (not included on MVP 280) with 26' (7.9 m) hose for mounting near crusher
 Unit shipped with oil-filled sump
 All cone mounted electrical components pre-wired to junction box
 Specified manganese liners installed and poured
 Interchangeable between coarse and fine crushing chambers
 Heavy-duty cast steel base frame with replaceable wear liners
 Non-ferrous V-seat wear liners
 Non-ferrous thread inserts for wear resistance
 V-belt driven sheave for crusher
 Crusher set for clockwise input shaft rotation
 Crusher hopper
 Crusher tools: lifting eye, mantle wrench

Optional Equipment

Automatic Hydraulic Adjustment System (PLC): 15 hp (11 kW) skid mounted hydraulic power unit for crusher adjustment and tramp iron relief system with cable/hose allows skid to be mounted 15' (4.5m) from crusher. Includes remote adjust panel on 200' (60m) tether with indicator lights, amp meter, position feed back indicator.
 Manual Hydraulic System: Remote push button box with 50', 100', or 150' (15m, 30m, or 45m) tether
 Crusher skid frame with motor mount, drive take-up and drive guard
 Crusher hopper extension

Automatic Cold Oil Circulation Kit for manual hydraulic system (recommended below 40°F/4°C): Automatically circulates oil at a predetermined interval to assist in cold weather start-up (standard with PLC system)
 Electric drive motors
 Electrical switchgear for drive motors
 V-belt drive with V-belts, motor sheave and bushing
 Export preparation and lift kit

Terex® Cedarapids MVP™ Series | ElJay® Rollercone® Crushers

Specifications

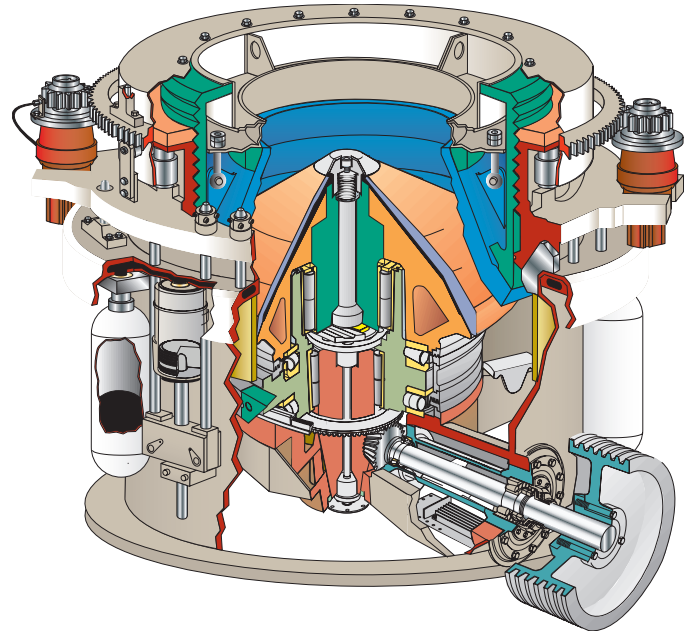
	A	B	C	D	E	Operating RPM	Horsepower	Approximate Total Weight
MVP280	79.08" (2008)	82" (2083)	48" (1219)	55.25" (1403)	71.0" (1803)	700-1000	200 (149 kW)	36,500 lbs (16,556 kg)
MVP380	79.86" (2028)	88" (2235)	52" (1321)	62" (1575)	79.5" (2020)	700-1000	300 (224 kW)	46,000 lbs (20,865 kg)
MVP450	82.71" (2101)	92.5" (2350)	56" (1422)	67.5" (1714)	83.5" (2121)	700-1000	400 (298 kW)	52,500 lbs (23,814 kg)
MVP550	88.73" (2254)	102" (2591)	62.5" (1587)	77" (1956)	92.5" (2350)	615-800	500 (373 kW)	68,000 lbs (30,844 kg)

Capacities

Closed Side Settings (CSS)	3/8" (10 mm)	1/2" (13 mm)	5/8" (16 mm)	3/4" (19 mm)	7/8" (22 mm)	1" (25 mm)	1-1/4" (32 mm)	1-1/2" (38 mm)	1-3/4" (44 mm)	2" (51 mm)
Standard Chamber Configuration - Open Circuit Capacities in tons-per-hour (tonnes-per-hour)										
MVP280 Gross Throughput	120-150 (109-136)	150-190 (136-172)	170-220 (154-200)	190-250 (172-227)	210-275 (190-249)	230-300 (209-272)	260-335 (236-305)	305-390 (277-355)	355-445 (323-405)	440-490 (400-445)
MVP380 Gross Throughput	135-170 (123-155)	180-225 (164-205)	220-260 (200-236)	240-290 (218-264)	260-310 (236-252)	275-335 (250-305)	295-380 (268-345)	350-445 (318-405)	405-510 (368-404)	500-560 (453-507)
MVP450 Gross Throughput	150-200 (136-182)	200-260 (182-236)	245-315 (222-285)	275-360 (250-326)	300-385 (272-349)	320-415 (290-376)	355-450 (321-408)	390-500 (353-453)	445-575 (403-521)	505-645 (458-585)
MVP550 Gross Throughput	200-250 (182-228)	260-330 (237-300)	315-395 (287-359)	360-450 (328-410)	385-485 (350-441)	405-510 (369-464)	450-565 (410-514)	495-620 (450-564)	565-715 (514-651)	645-810 (587-737)

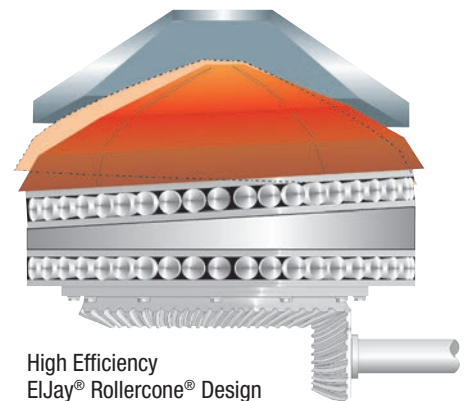
*Minimum closed side setting is that point just above bowl float under maximum allowable pressure on tramp iron relief system. This setting can vary widely depending on nature and condition of the material being crushed. The charts are to be used as guides to crushers and liner selection. Data is offered as a guide only. Crushing characteristics of various rock and crusher operation will affect results.

Effective Date: April 2010. Product specifications and prices are subject to change without notice or obligation. The photographs and/or drawings in this document are for illustrative purposes only. Refer to the appropriate Operator's Manual for instructions on the proper use of this equipment. Failure to follow the appropriate Operator's Manual when using our equipment or to otherwise act irresponsibly may result in serious injury or death. The only warranty applicable to our equipment is the standard written warranty applicable to the particular product and sale and Terex makes no other warranty, express or implied. Products and services listed may be trademarks, service marks or trade-names of Terex Corporation and/or its subsidiaries in the USA and other countries. All rights are reserved. Terex is a registered trademark of Terex Corporation in the USA and many other countries. © 2010 Terex Corporation.

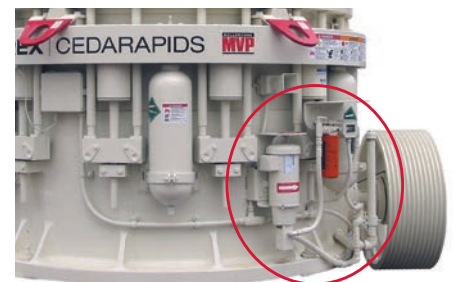
Terex® Cedarapids MVP Series | ElJay® Rollercone® Crushers


MVP Series Features and Benefits

- Manual RLC (Relay Logic Control) or PLC (Programmable Logic Control)
- Hydraulic powered threaded upper assembly for quick crusher setting adjustment under load
- Hydro-pneumatic tramp iron relief system instantly resets crusher setting after passing uncrushable material; high flow manifold system with five accumulators provides redundant cylinder protection
- ElJay® Rollercone® roller bearing design uses less horsepower than plain bushing cone crushers and directs more power into the crushing chamber for higher efficiency; balanced cone design runs smooth without need of isolation frame
- Crushing chamber design coupled with oversized roller bearings produces more net product on the first pass, recirculating loads and energy consumption are reduced on the entire circuit
- Full size feed entry and a vigorous upper cone crushing action maximize throughput
- Rugged, one-piece, cast frame base frame construction for long life
- Anti-spin brake stops the cone head from spinning, preventing wear on the liners which increases manganese life
- Numerous crushing chamber configurations are available to optimize crusher performance in any application



High Efficiency
ElJay® Rollercone® Design



Self-Contained Oil Lubrication System

Effective Date: April 2010. Product specifications and prices are subject to change without notice or obligation. The photographs and/or drawings in this document are for illustrative purposes only. Refer to the appropriate Operator's Manual for instructions on the proper use of this equipment. Failure to follow the appropriate Operator's Manual when using our equipment or to otherwise act irresponsibly may result in serious injury or death. The only warranty applicable to our equipment is the standard written warranty applicable to the particular product and sale and Terex makes no other warranty, express or implied. Products and services listed may be trademarks, service marks or trade-names of Terex Corporation and/or its subsidiaries in the USA and other countries. All rights are reserved. Terex is a registered trademark of Terex Corporation in the USA and many other countries. © 2010 Terex Corporation.